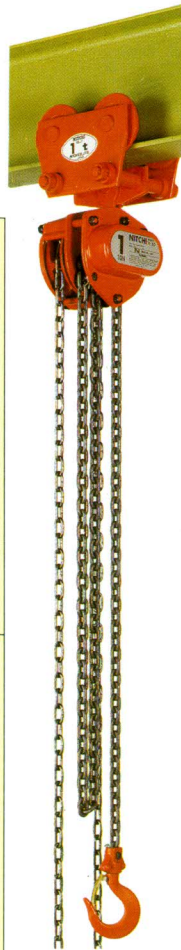
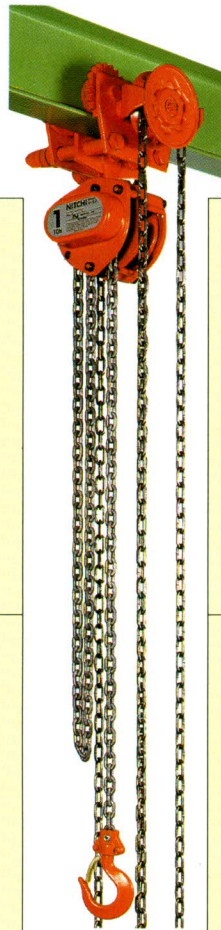
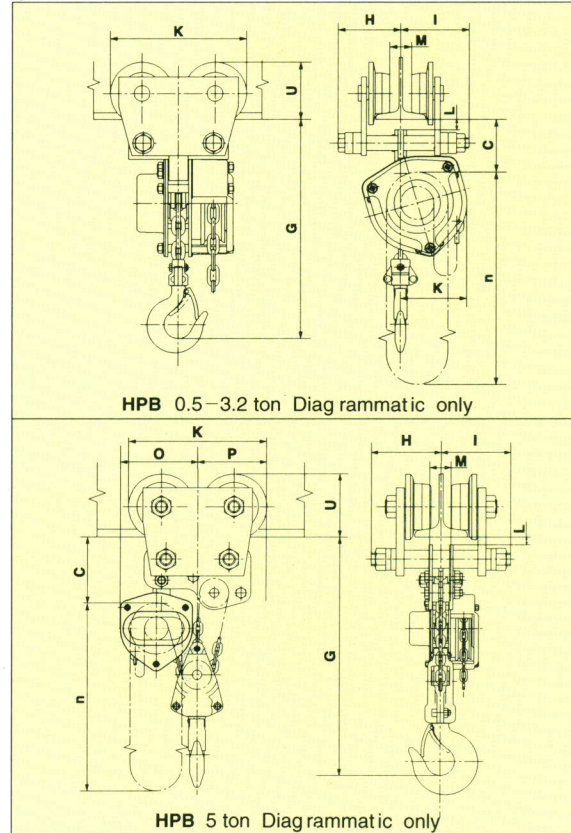
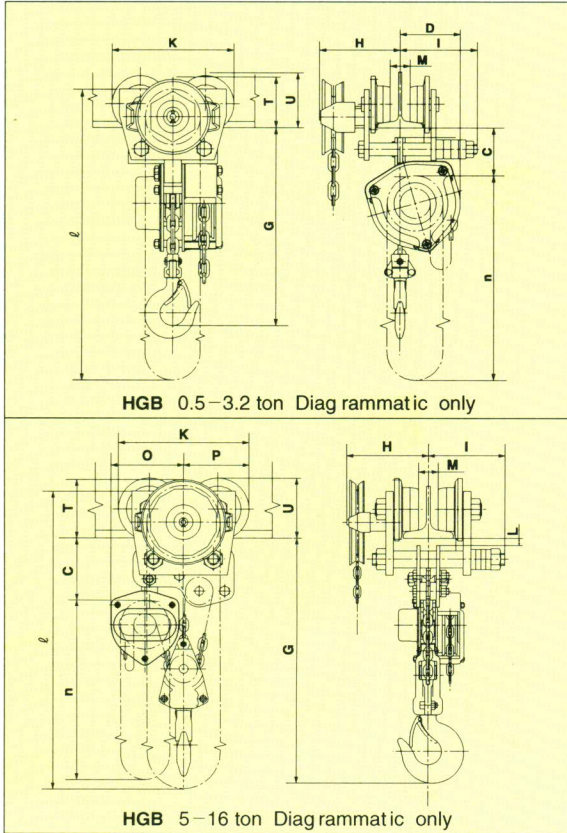


CHAIN HOIST WITH TROLLEY (HGB & HPB)

The ingenious direct-coupling connection makes the headroom remarkably short and always faces the chain hoist in the same direction for easy operation of the hand chain. Precision anti-friction ball bearings that are located in the unique profile trolley wheels, provide smooth and easy transportation of the loads on either flat or taper beams.

SMALL CURVE RADIDS :

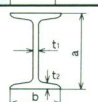
The NITCHI Trolleys are usable on beams with small curve radiuses. This outstanding features makes it possible to install trolley systems for the efficient transportation of loads in areas of limited space.



STANDARD SPECIFICATIONS

Cap. (ton)	Lift (m)	Drawn-up head room G (mm)	Standard I-Beam (mm) a × b × t ₁	Minimum curve radius (mm)	Test Load (t)	HGB & HPB Major Dimension(approx.) (mm)										Net weight (≒kg)	HGB			HPB		
						C	D	K	L	M	U	π	O	P	H (mm)		I (mm)	T (mm)	ℓ (m)	Net weight (≒kg)	H (mm)	I (mm)
0.5	2.5	245	125×75×5.5 180×100×6 250×125×7.5	800	0.75	90	90	195	23-t ₂	b-43	72+t ₂	2.5	-	-	17	b/2+73	168-b/2	96+t ₂	2.5	14	93	105
1		285	150×75×5.5 180×100×6 250×125×7.5	1,000	1.5	60	100	206	25-t ₂	b-42	78+t ₂	2.5	-	-	22	b/2+98	168-b/2	72+t ₂	2.5	18	95	103
1.6		340	150×75×5.5 180×100×6 250×125×7.5	1,100	2.4	60	115	221	29-t ₂	b-41	85+t ₂	2.5	-	-	29	b/2+98	174-b/2	72+t ₂	2.5	25	112	112
2	3.0	375	200×100×7 250×125×7.5 300×150×8	1,200	3.0	110	132	263	31-t ₂	b-63	102+t ₂	3.0	-	-	43	b/2+108	203-b/2	115+t ₂	3.0	37	128	128
3.2		415	200×100×7 250×125×10 300×150×11.5	1,500	4.8	110	160	306	28-t ₂	b-63	126+t ₂	3.0	-	-	61	b/2+108	208-b/2	119+t ₂	3.0	55	133	133
5		555	250×125×10 300×150×11.5 450×175×11	1,500	7.5	125	-	329	37-t ₂	b-76	132+t ₂	3.1	200	165	80	b/2+141	253-b/2	128+t ₂	3.3	73	166	166
10	3.5	710	400×150×12.5 450×175×13	3,000	12.5	185	-	420	45-t ₂	b-84	175+t ₂	3.8	278	210	175	b/2+189	b/2+104	130+t ₂	4.1	-	-	-
16		940	450×175×13	5,000	20.0	210	-	760	24	60	292+t ₂	4.0	340	380	430	358	203	298+t ₂	4.3	-	-	-

The design, materials and specifications are subject to change for improvements without notice.



ΑΦΟΙ Α. ΠΑΠΑΔΟΠΟΥΛΟΙ Α.Ε.
 ΑΝΤΙΠΡΟΣΩΠΕΙΕΣ - ΕΙΣΑΓΩΓΕΣ
 ΜΑΚΡΩΝ ΤΕΙΧΩΝ 27 - 185 40 ΠΕΙΡΑΙΑΣ
 ΤΗΛ.(210) 411.1824, 411.6109, 413.0256
 ΤΗΛ.(210) 4174915-6 FAX (210) 4122448